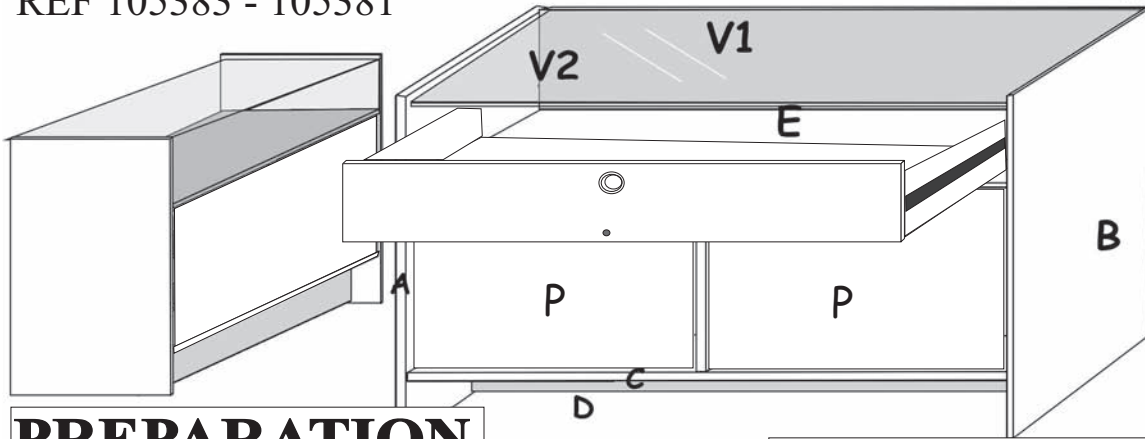
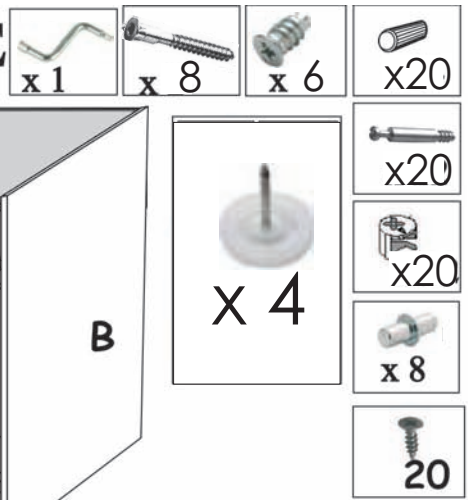
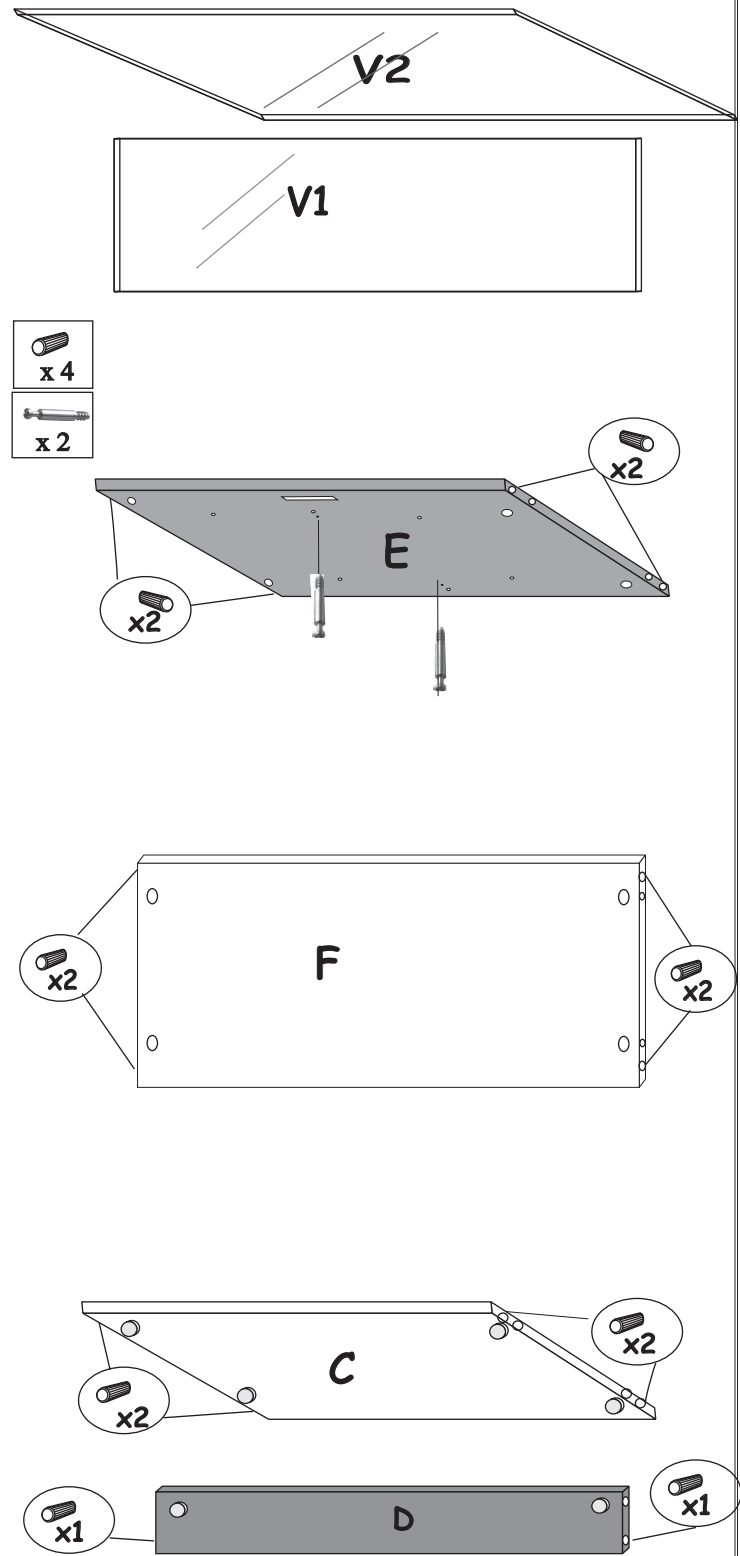
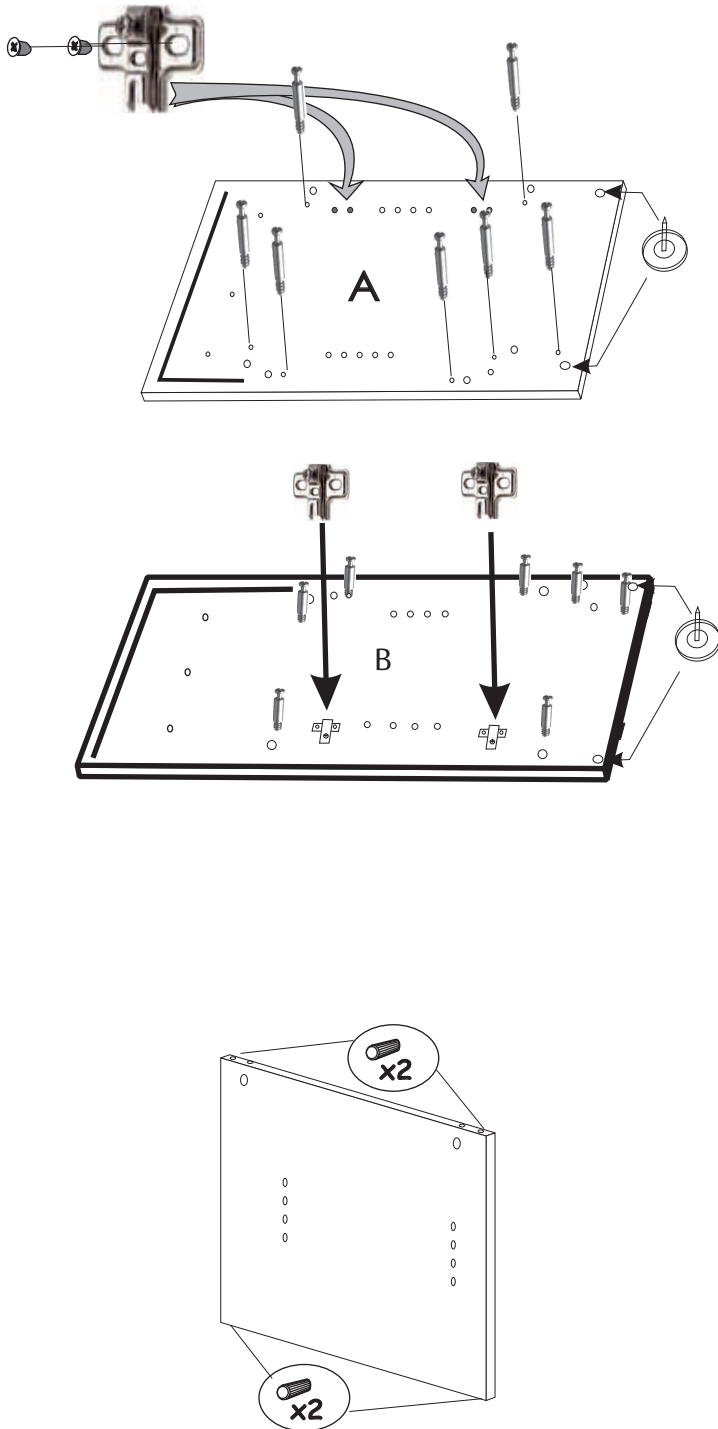


VITRINE EASY GRAND MODELE

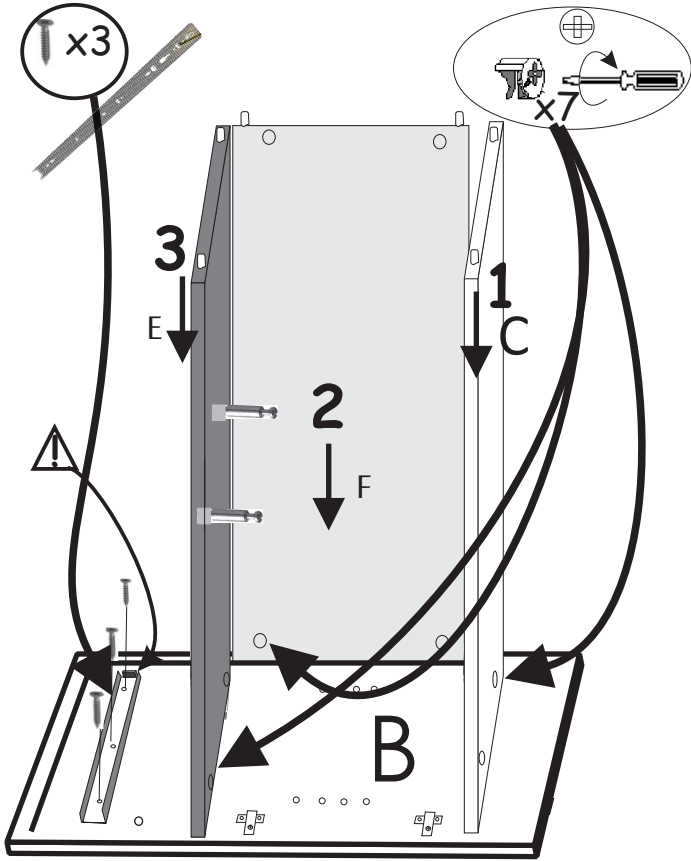
REF 105383 - 105381



PREPARATION



MONTAGE



x2

