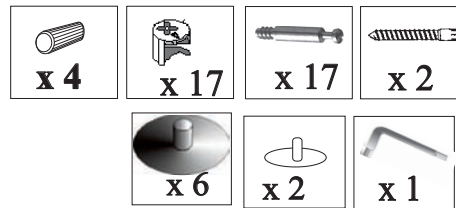
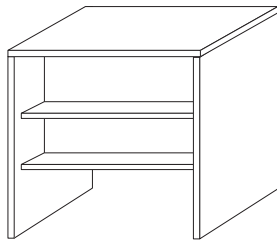
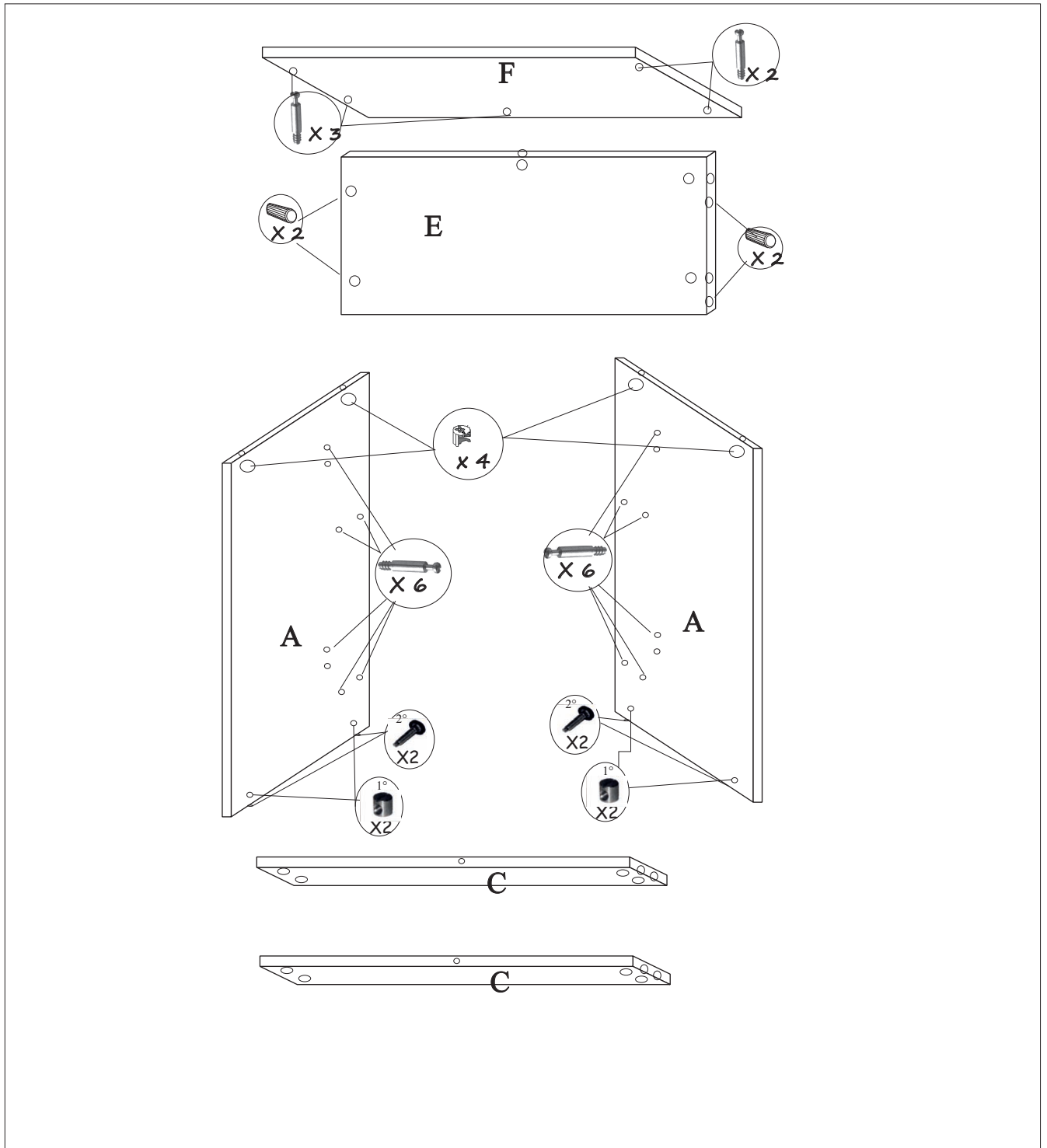


# COMPTOIR HANDICAPE



## PREPARATION



# MONTAGE

